

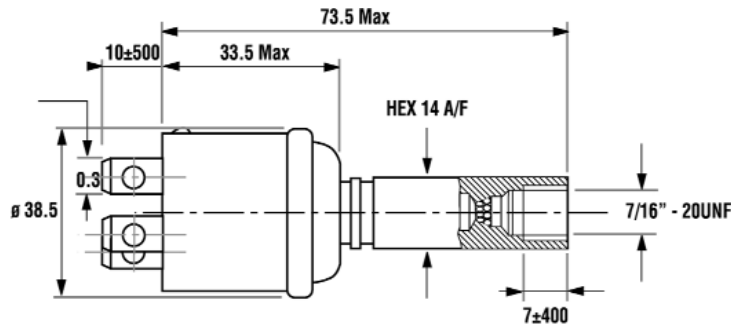


Applications

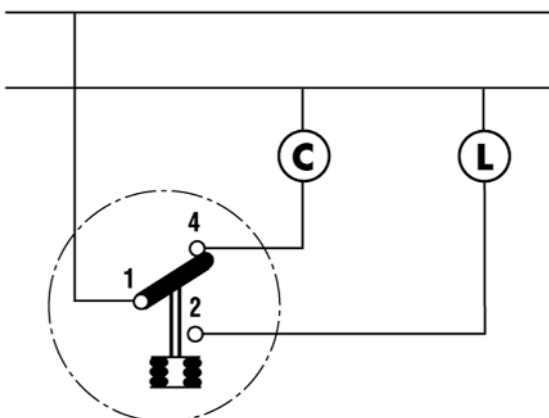
The G60/63 range of pressure cut-outs is designed to protect refrigeration systems against critical conditions by setting high or low pressure limits. The G60 low pressure cut-out protects the compressor against low suction pressures where there is a danger of liquid refrigerant entering the compressor and causing damage. The G63 high pressure cut-out protects the system against excessive discharge pressure which can be dangerous and cause expensive equipment damage.

Model	Reset	Pressure p.s.i. (bar)		Differential	Pressure Connections	Reset button	IP
		Cut-out	Cut-in				
G60-P1028000	Auto	0,14 (0,0)	8 (0,6)	8 (0,6)	female 1/4" SAE	no	00
G60-P1061401	Auto	22 (1,5)	44 (3,0)	22 (1,5)	female 1/4" SAE	yes	44
G60-P1033401	Auto	10 (0,7)	32 (2,2)	22 (1,5)	female 1/4" SAE	yes	44
G60-P1129400	Auto	1,5 (0,1)	19 (1,3)	17,5 (1,2)	capillary 400mm	no	44
G60-P1036400	Auto	362 (25,0)	261 (18,0)	101 (7,0)	female 1/4" SAE	yes	44
G60-P1127400	Auto	250 (17,3)	185 (12,8)	65 (4,5)	female 1/4" SAE	yes	44
G60-P1029400	Auto	228 (15,8)	126 (8,7)	102 (7,1)	female 1/4" SAE	no	44
G60-P1059400	Auto	203 (14,0)	115 (8,0)	87 (6,0)	female 1/4" SAE	yes	44
G60-P1040600	Auto	347 (24,0)	263 (18,3)	84 (5,8)	female 1/4" SAE	yes	66
G60-P5022600	Manual	362 (25,0)	<286 (<18,5)		female 1/4" SAE	yes	66

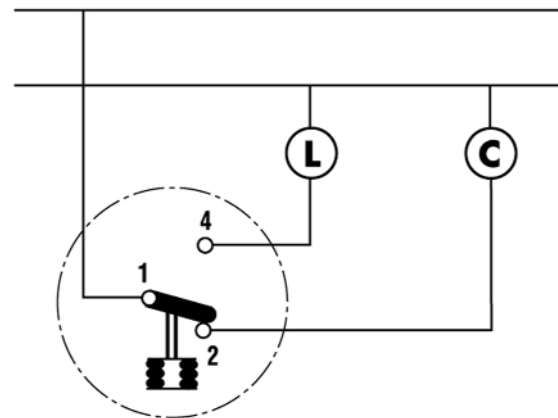
G60 - G63 - Dimensions



G60 - G63 - Wiring diagram



Cycle interruption with low pressure



Cycle interruption with high pressure